

ELECTRON[®] FSS

Fire Safe and Electrical Insulating Gasket

Description:

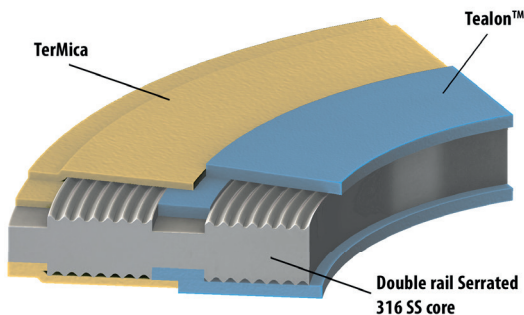
The Electron[®] FSS isolation and fire safe gasket is composed by a double rail serrated 316 SS core, faced on both sides with Tealon[™] and TerMica laminate materials. Electron[®] FSS includes glass reinforced epoxy (G-10) insulation sleeves (1 per stud), TerMica insulation washers (1 per stud) and galvanized carbon steel washers (2 per stud). Its robust design aims to meet the sealability, electrical insulation and fire resistance requirements for industrial pipelines.

Application:

The Electron[®] FSS Gasket is designed to meet critical applications even under the most severe pressure and chemical resistance requirements. It is suitable for piping requiring electrical insulation in lines with sea or waste water, chemicals, hydrocarbons and applications requiring fire resistance.

Properties:

Technical Data	
Flanges Type/Class	RF and RTJ ASME 150-2500# and API 6A 2-10K
Electrical Resistance	> 100 MΩ (1500 Vdc)
Dielectric Strength	5 kV (60 Hz Vac per 1 minute)
Water absorption	< 0,1 %
Maximum Seating Stress	350 MPa (50000 psi)
Maximum Temperature	260 °C (500 °F)



Sealability Data	
Standard	EN13555
Leak rate	< 1.00E-05 mg/m/s

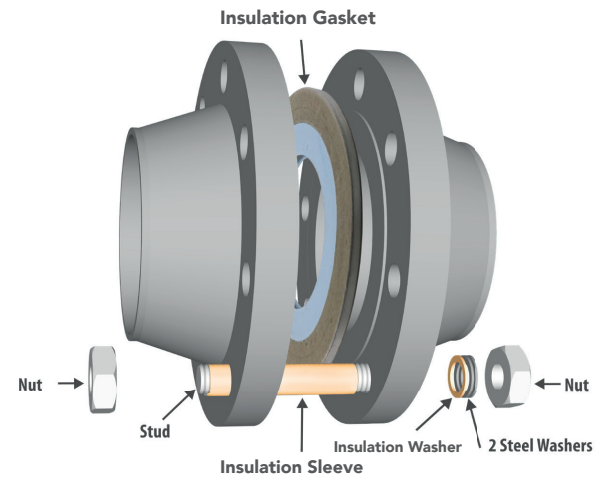
Properties and application parameters shown throughout this data sheet are typical. Your specific application should not be undertaken without independent study and evaluation for suitability. For specific application recommendations consult TEADIT. Failure to select proper sealing products could result in property damage and/or serious personal injury. Specifications are subject to change without notice; this edition cancels all previous issues.



Sleeve/Washer Assembly:

Recommended installation configuration based on laboratory tests:

Insulation Components	
Sleeve	G-10
Washer	TerMica



Gasket Factors "m" and "y"

m	2
y	2500 psi